

**1020** - 3.0m Tunnel Slide with 60° bend

## Slides - 3.0m Tunnel Slide with 60° bend

Slides are one of the most popular items in any playground. They can be a great stand alone piece, or they can really set off a play unit. Slides can also help children develop numerous motor skills which are essential for their development.

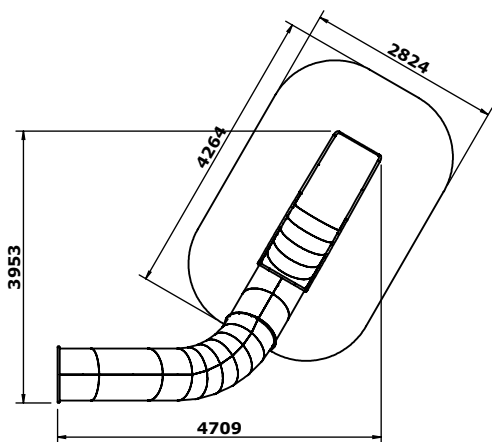
Our range of tunnel slides are ideal if your slide needs to go from a high height or if you want to keep surfacing costs down. Due to the main sliding section being enclosed, it only requires surfacing around the run out.

Our 3.0m Tunnel Slide with 60° bend is the larger of our standard tunnel slides with a bend. The tunnel slide is 760mm in diameter and is suitable for children as well as adults.

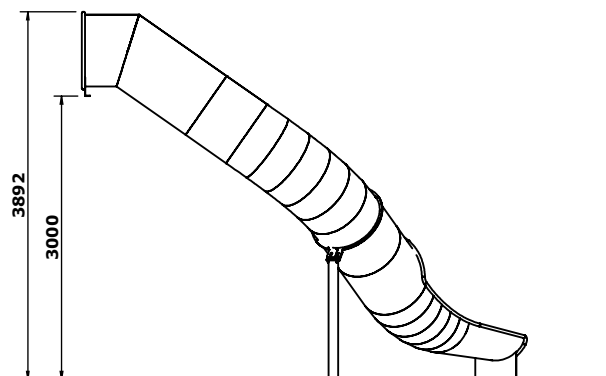
All of our tunnel slides are finished to a dull polish finish.

We can also offer additional features to the tunnel slide by powder coating, installing audio / visual accessories and we can even insulate them which means they can travel outside of a building and back in again. We can also add specific feet or fixing connections if required too.

<b>Product Type:</b>	Slides
<b>Product Category:</b>	Tunnel Slide with single bend
<b>Age Range:</b>	3+
<b>Promotes:</b>	Balance, Co-ordination, Physical and Cognitive
<b>Total Height:</b>	3.892m
<b>Max Fall Height:</b>	<600mm if installed on an embankment
<b>Surfacing Req:</b>	10.7m <sup>2</sup>
<b>Weight / Heaviest Parts:</b>	319kg / 182kg
<b>Concrete Required:</b>	0.28 m <sup>3</sup>
<b>Installation:</b>	2 People
<b>Installation Hours:</b>	2 hours



**1020** - Surfacing Overview



**1020** - Elevation View